

Technical Manual

JBL SR4722X



SPECIFICATIONS

ACOUSTIC & ELECTRICAL SPECIFICATIONS:

- Nominal Impedance: 8 ohms
- Power Capacity: 600W Continuous Pink Noise
- Frequency Range: 50 Hz – 18 kHz (-10dB)
- Sensitivity: 95 dB SPL, 1 Watt @ 1 Meter
- Crossover Frequency: 1.2 kHz

SYSTEM COMPONENTS:

- Cabinet: SR4722X (Not For Sale)
- Grille: 128-00420-00
- Low Frequency Transducer: 305mm (12 in.) Paper Cone Transducer (2206HPL)
- DC Resistance: 5.3 ohm ±10% Aluminum Wire
- High Frequency Transducer: 25mm (1 in.) Exit Pure Titanium Compression Driver (2417H)
- DC Resistance: 3.2 ohm ±8% Aluminum Wire

SYSTEM COMPONENTS: (Cont'd)

- Crossover Network: 129-20059-00

AURAL SWEEP TEST SPECIFICATIONS:

- A. System Aural Sweep Test: 7.0V Input, 20 Hz to 20 kHz
- B. L.F. Aural Sweep Test: 15.0V Input, 20 Hz to 1.2 kHz
- C. H.F. Aural Sweep Test: 2.0V Input, 550 kHz to 20 kHz

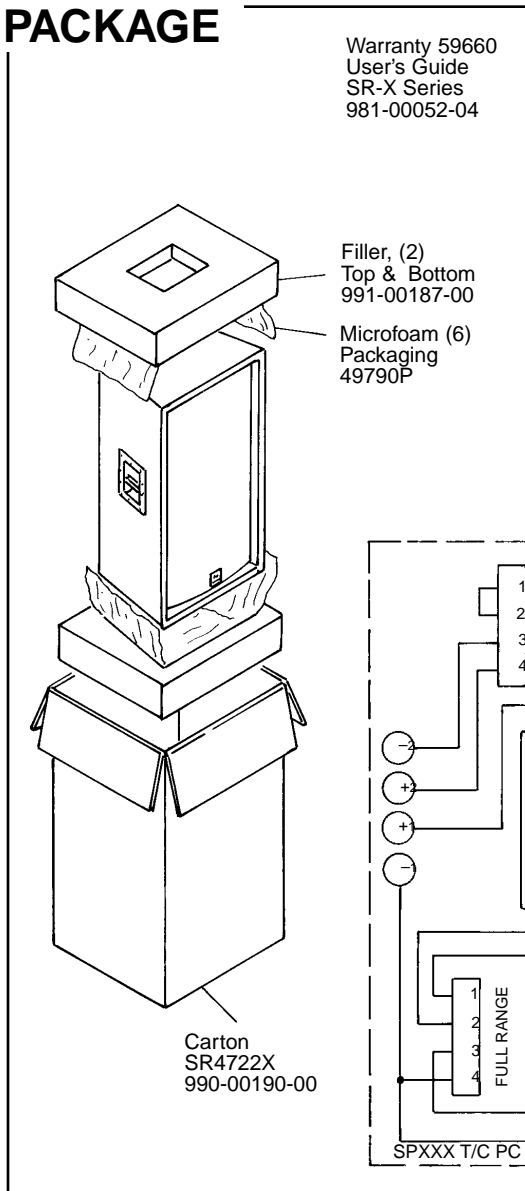
PHYSICAL SPECIFICATIONS:

- Enclosure Dimensions: 711mm x 508mm x 343mm D (28.0 x 20.0 x 13.5 in. D)
- Shipping Weight: 68 lbs. (30.8 kg.)

WARRANTY INFORMATION:

- Refer to Warranty Statement packed with each product.

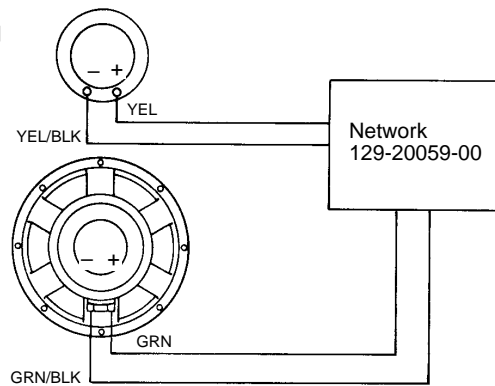
PACKAGE



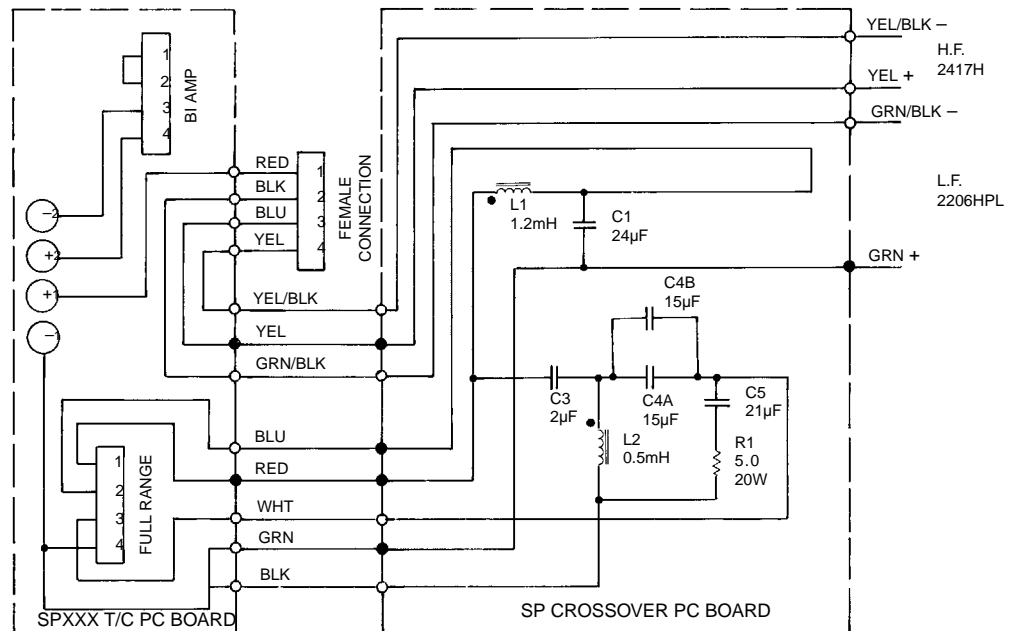
WIRING DIAGRAM

Speaker, High Freq
2417H
Diaph Repl
D8R2417

Speaker, Low Freq
2206HPL
Cone Repl
C8R2206

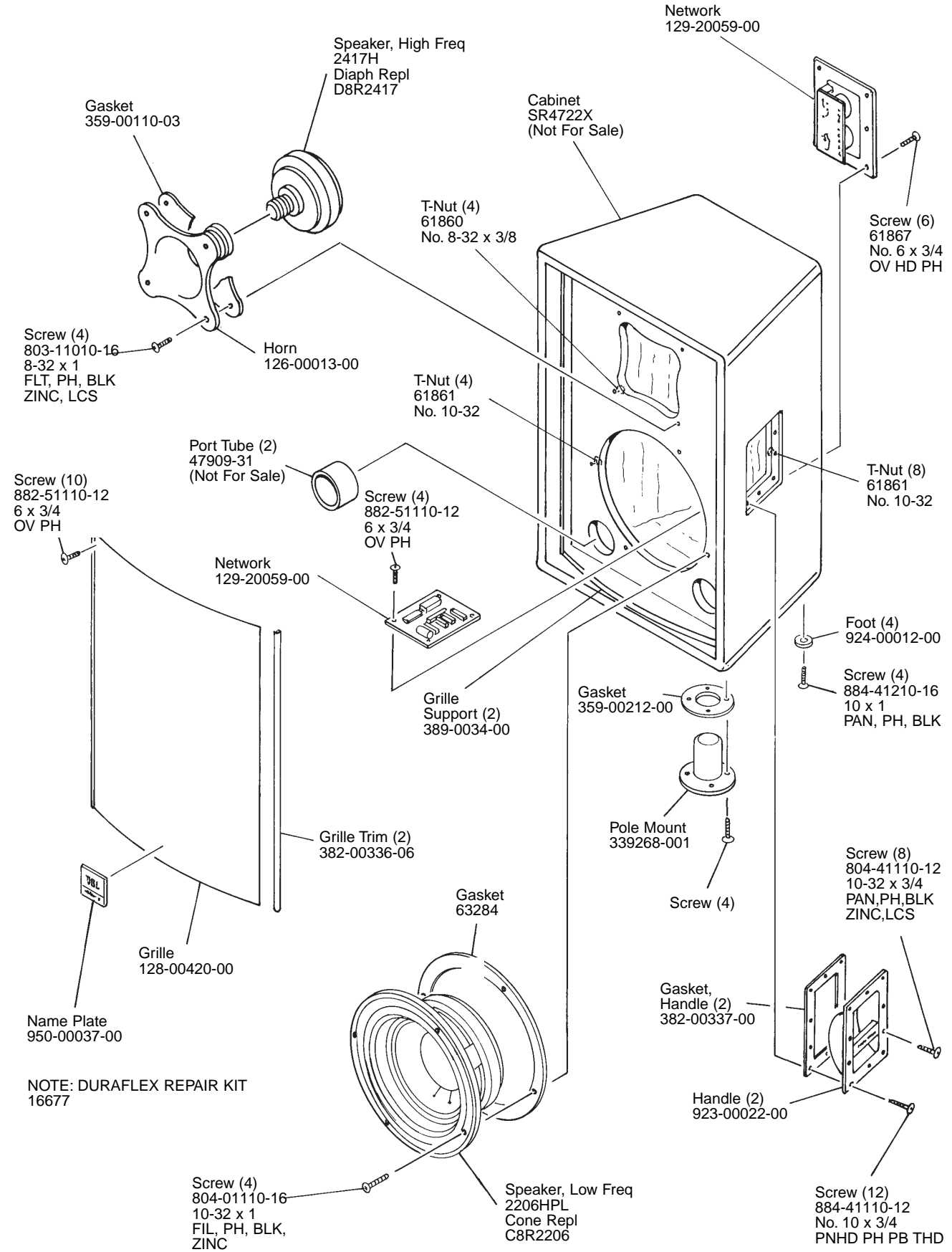


SCHEMATIC (129-20059-00)



JBL SR4722X

COMPONENT EXPLODED VIEW



NOTE: DURAFLEX REPAIR KIT 16677